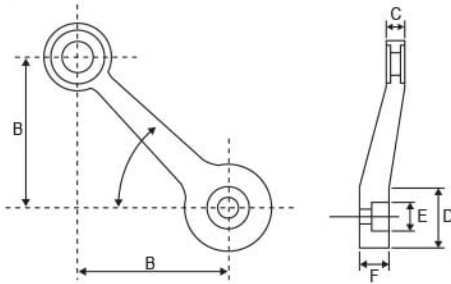
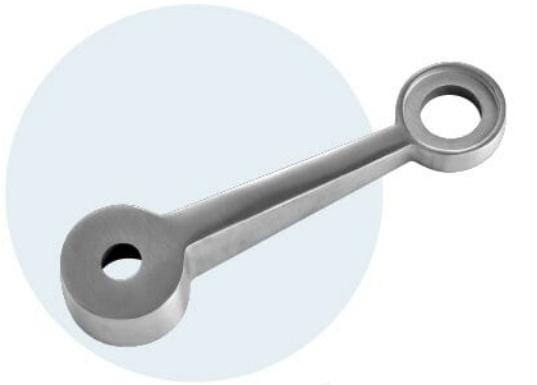


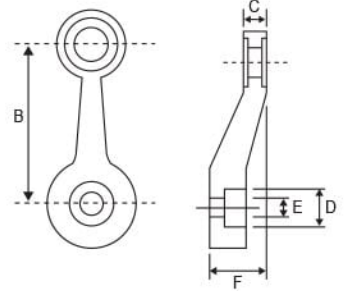
• **CKS-F200-1**



Material : Stainless Steel  
Finish : Satin Stainless Steel (SSS)

ITEM	B	C	D	E	F
1. CKS-F200-1	100mm	14mm	48mm	15mm	38mm

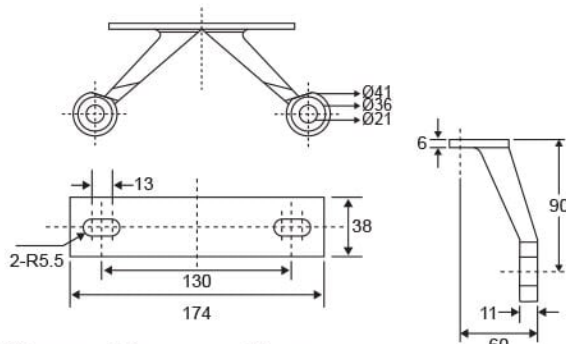
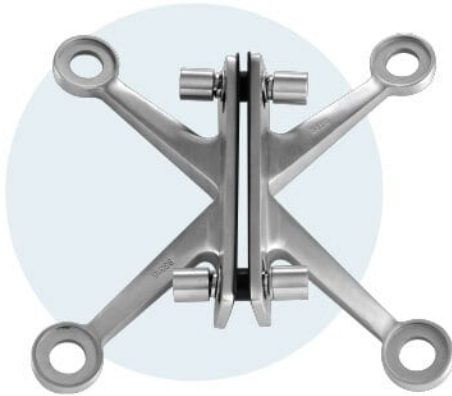
• **CKS-F200-1/I**



Material : Stainless Steel  
Finish : Satin Stainless Steel (SSS)

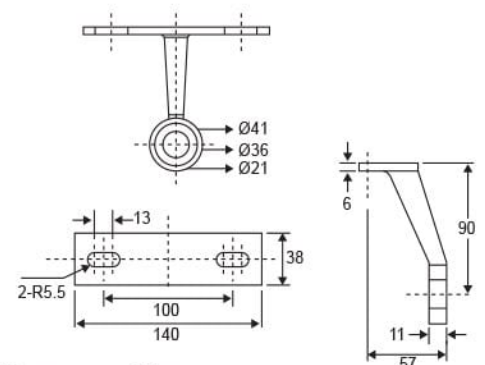
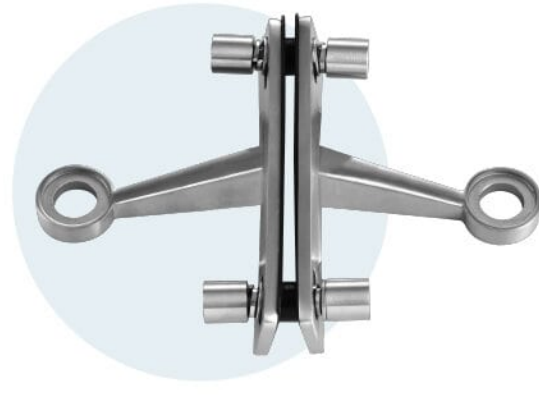
ITEM	B	C	D	E	F
1. CKS-F200-1/I	100mm	14mm	48mm	15mm	38mm

• **CKS-F200-4/F**



Glass fin thickness : 12mm ~ max. 19mm  
Material : Stainless Steel  
Finish : Satin Stainless Steel (SSS)

• **CKS-F200-2/F**



Glass fin thickness : 12mm ~ max. 19mm  
Material : Stainless Steel  
Finish : Satin Stainless Steel (SSS)

\* Please refer the glass technical information section at the page no.112 to 115.