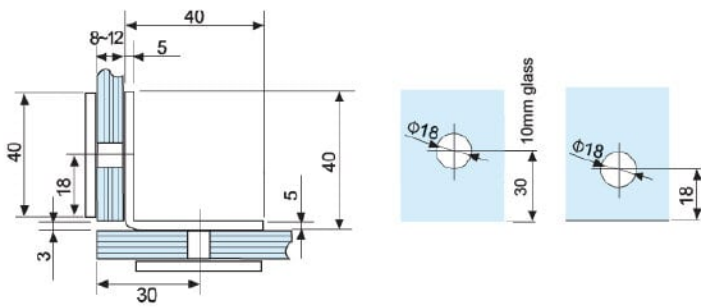


• **CKS-705**

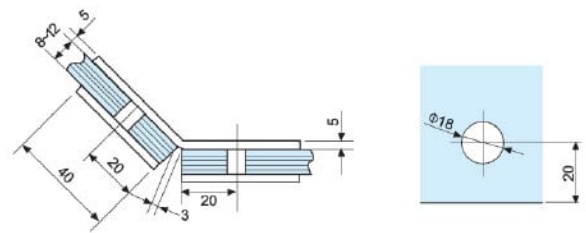
Glass to glass 90°



Fit for glass thickness : 8, 10, 12mm
Material : Zinc Alloy
Finish : Bright Chrome Plated (CP)

• **CKS-706**

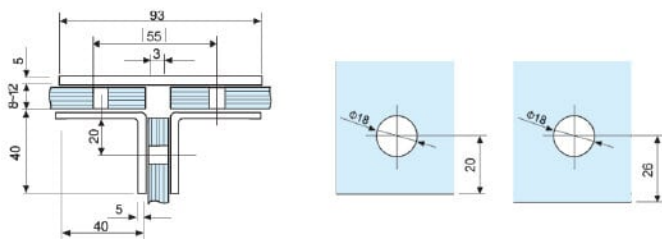
Glass to glass 135°



Fit for glass thickness : 8, 10, 12mm
Material : Zinc Alloy
Finish : Bright Chrome Plated (CP)

• **CKS-707**

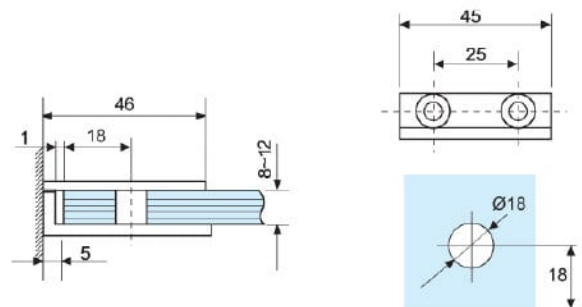
Glass to glass T-Joint



Fit for glass thickness : 8, 10, 12mm
Material : Zinc Alloy
Finish : Bright Chrome Plated (CP)

• **CKS-721**

Glass to wall



Fit for glass thickness : 8, 10, 12mm
Material : Stainless Steel
Finish : Polished Stainless Steel (PSS)