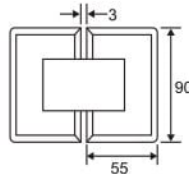
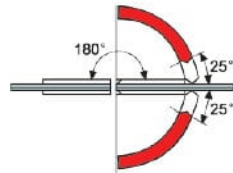


• **CKS-303**

Glass to glass (180°)

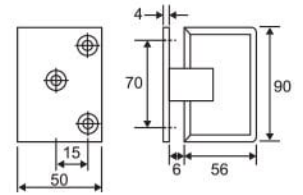
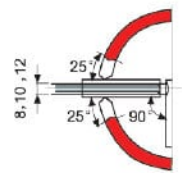
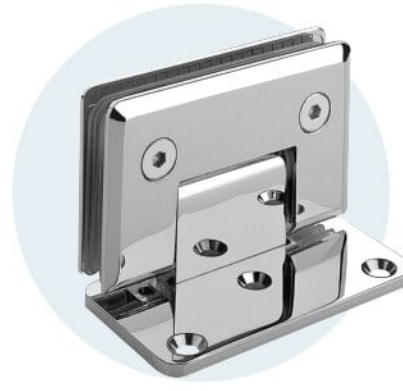
Color Option :  
Matt Black ●



• **CKS-305**

Glass to wall (offset)

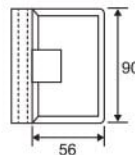
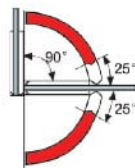
Color Option :  
Matt Black ●



• **CKS-304**

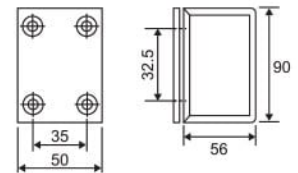
Glass to glass (90°)

Color Option :  
Matt Black ●

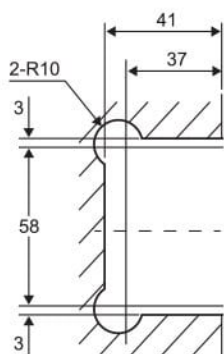


• **CKS-306**

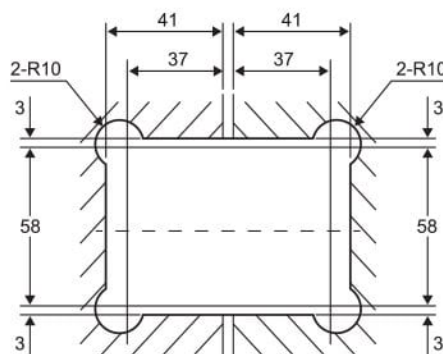
Glass to wall (fixed)



Glass preparation for:  
CKS-301 / 305 / 306



Glass preparation for:  
CKS-302 / 303 / 304



Self return from 25° (either direction)  
Fit for door thickness : 8, 10mm  
Door load up to 45kg  
Material : Brass, Stainless Steel  
Finish : Bright Chrome Plated (CP)  
Polished Stainless Steel (PSS)  
Satin Stainless Steel (SSS)

Glass preparation detail  
(The glass angle of fixed panel need to cut 45°  
when used in CKS 302 135° hinge)

\* Please refer the glass technical information section at the page no.112 to 115.