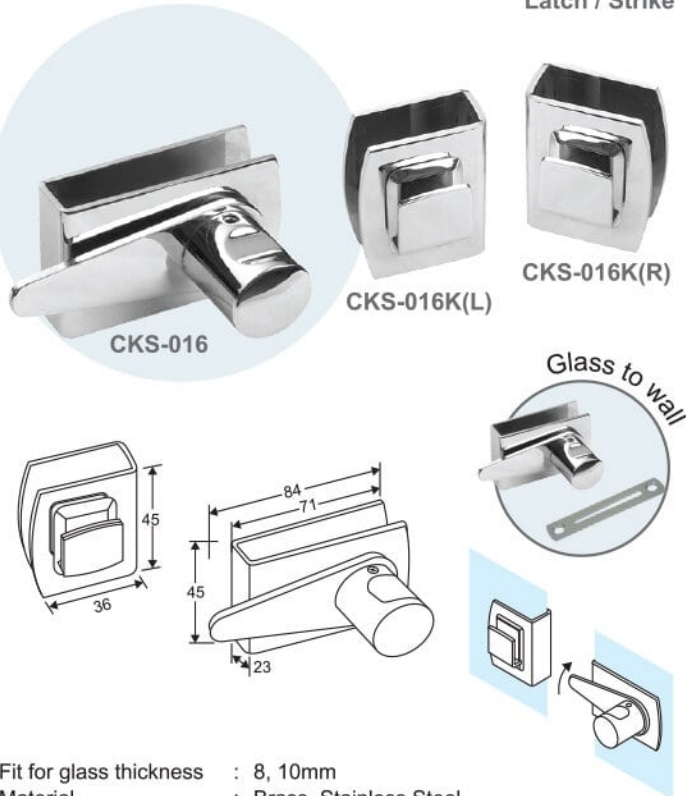
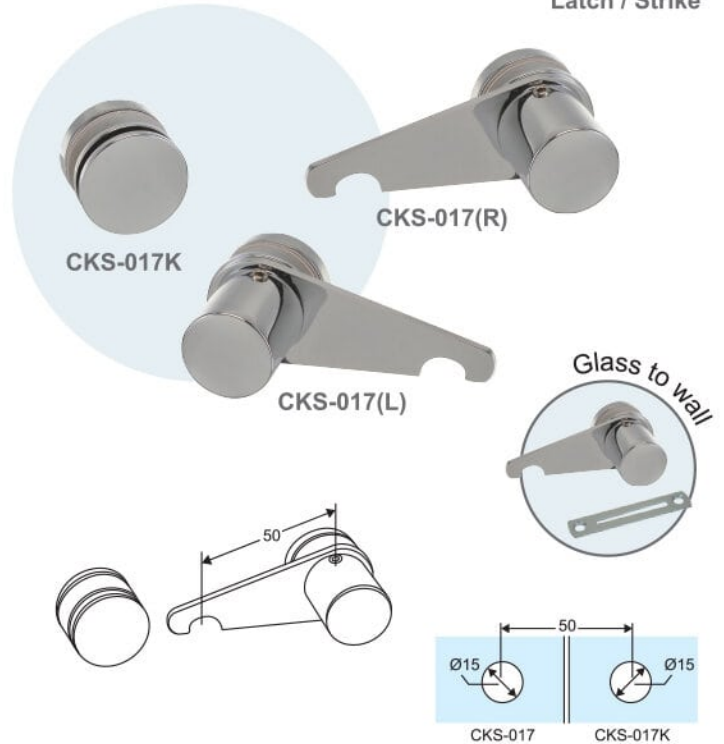


• **CKS-016 / 016K(L) or (R)**  
Latch / Strike



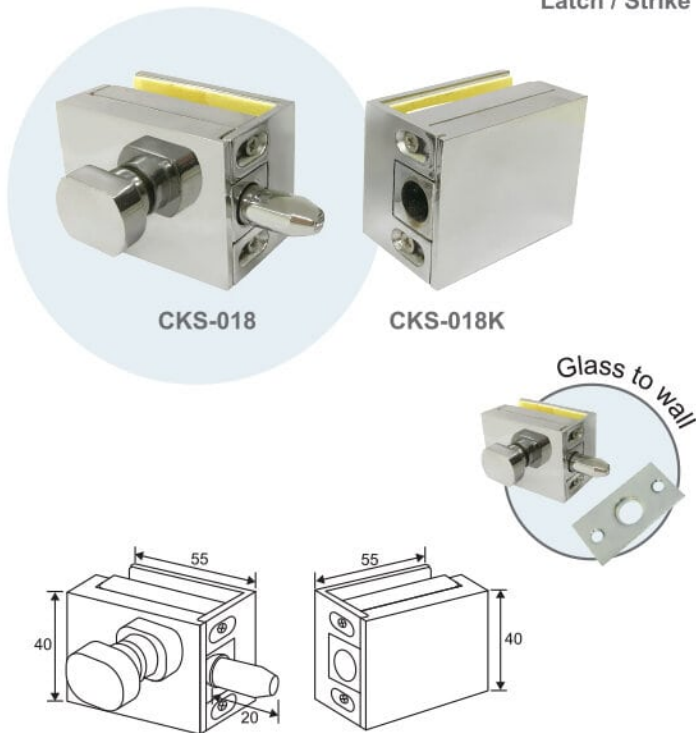
Fit for glass thickness : 8, 10mm  
Material : Brass, Stainless Steel  
Finish : Polished Stainless Steel (PSS)

• **CKS-017(L) or (R) / 017(K)**  
Latch / Strike



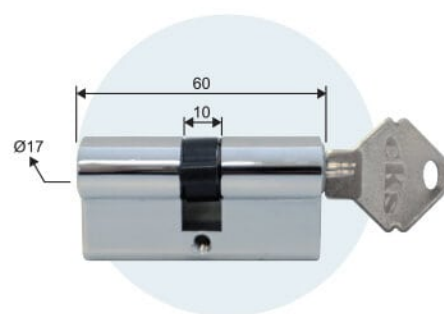
Fit for glass thickness : 10, 12mm  
Material : Brass  
Finish : Bright Chrome Plated (CP)

• **CKS-018 / 018K**  
Latch / Strike



Fit for glass thickness : 10, 12mm  
Material : Zinc Alloy  
Finish : Bright Chrome Plated (C)

- **CKS-50L** Cylinder (Key / Key)
- **CKS-50L-KA** Cylinder For Key Alike System (3 Keys)
- **CKS-50L-MK** Cylinder For Master Key System



• **CKS-50L/T** Cylinder (Turn Snip / Key)

