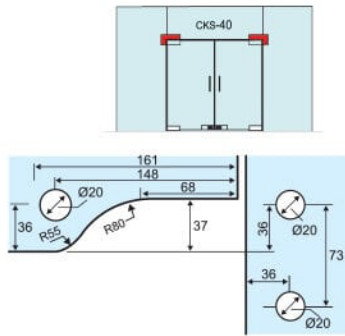
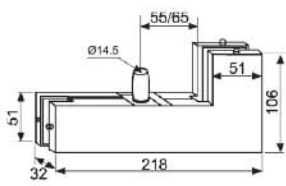


• **CKS-40**

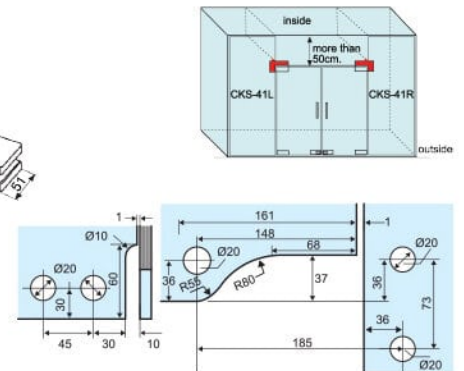
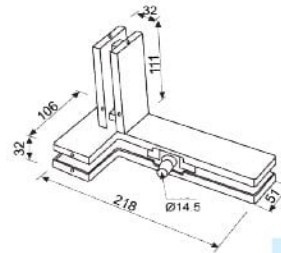
Overpanel to sidepanel  
pivot patch fitting



Fit for glass thickness : 10,12mm (15mm Optional)  
Finish of the cover plate : Polished Stainless Steel (PSS)

• **CKS-41 (L/R)**

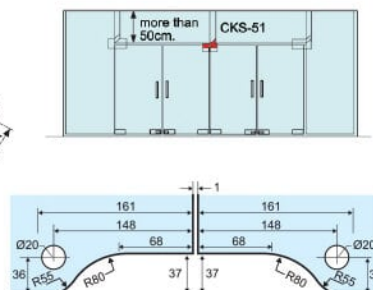
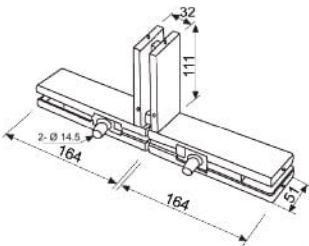
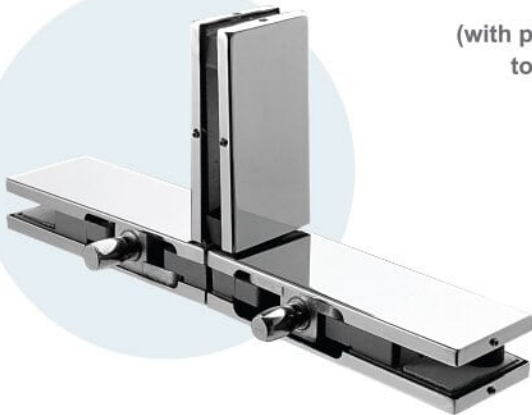
Overpanel to sidepanel  
pivot patch with fin fitting



Fit for glass thickness : 10,12mm  
Finish of the cover plate : Polished Stainless Steel (PSS)

• **CKS-51**

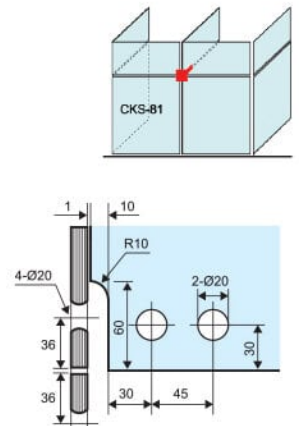
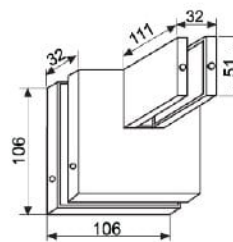
Fin fitting  
(with pivot for back  
to back doors)



Fit for glass thickness : 10, 12mm  
Finish of the cover plate : Polished Stainless Steel (PSS)

• **CKS-81**

Connector with fin fitting



Fit for glass thickness : 10, 12mm  
Finish of the cover plate : Polished Stainless Steel (PSS)