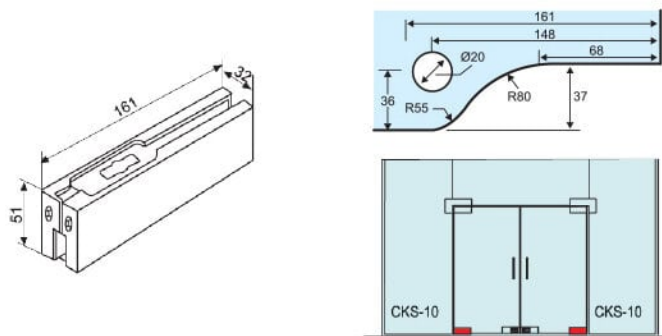


• **CKS-10**

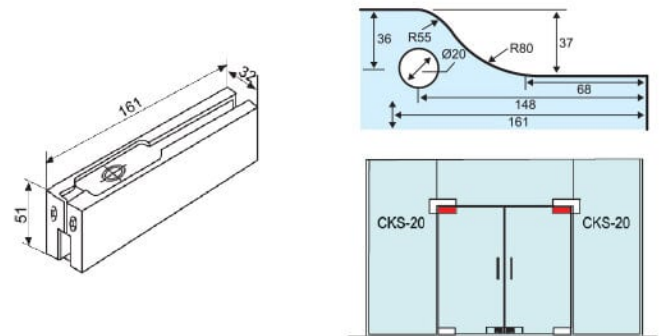
Bottom patch fitting



With insert for most floor hinges
Fit for glass thickness : 10,12mm (15mm optional)
Finish of the cover plate : Polished Stainless Steel (PSS)

• **CKS-20**

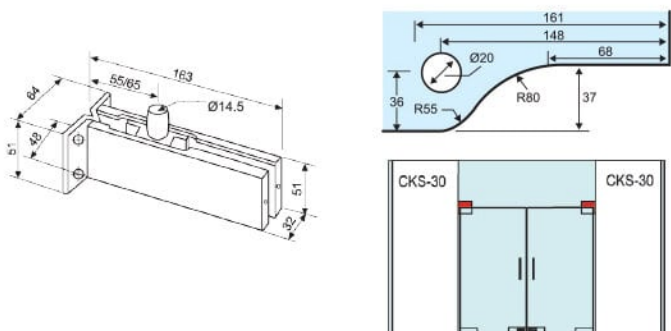
Top patch fitting



Fit for glass thickness : 10,12mm (15mm optional)
Finish of the cover plate : Polished Stainless Steel (PSS)

• **CKS-30**

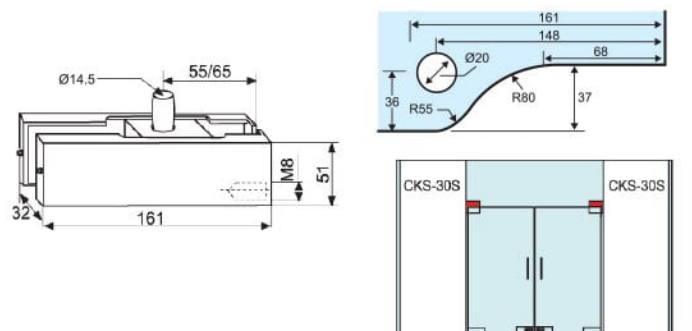
Overpanel pivot patch fitting



Fit for glass thickness : 10,12mm
Finish of the cover plate : Polished Stainless Steel (PSS)

• **CKS-30S**

Overpanel pivot patch fitting



Fit for glass thickness: 10,12mm
Finish of the cover plate: Polished Stainless Steel (PSS)