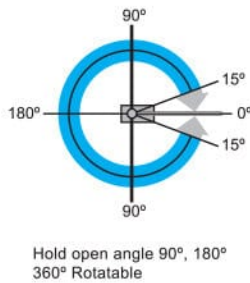
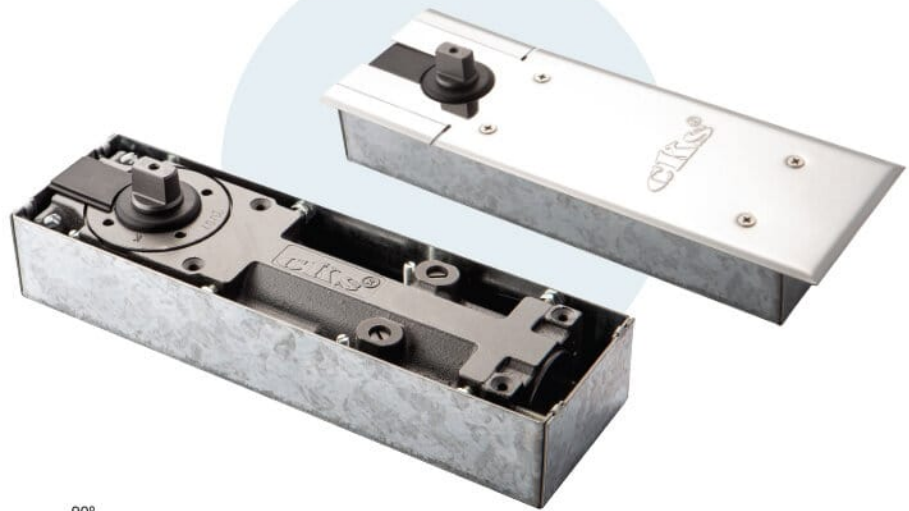
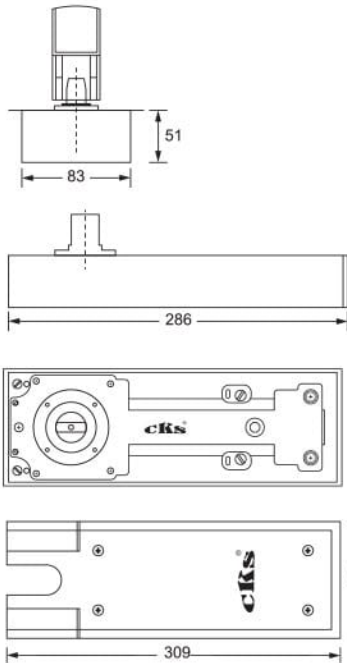


• **CKS-875**

Max door weight : 150kg  
Max door width : 1200mm

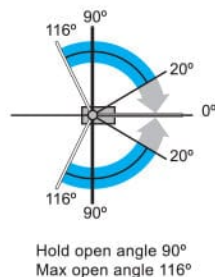
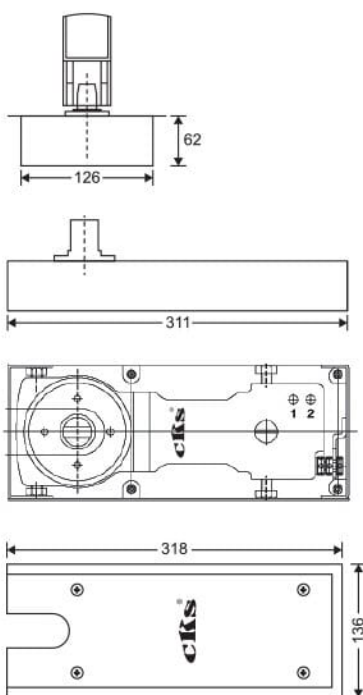


**Data & Features**

Closing force approx	(Nm.)	26
Maximum door width	(MM)	1200
Closing speed variable by valve adjustment		Yes
Maximum door weight	(KG)	150
Hold-open point		90° & 180°
Product weight approx.	(KG)	5
Dimensions (MM)	Length	309
	Width	105
	Height	51

• **CKS-824**

Max door weight : 250kg  
Max door width : 1500mm



**Data & Features**

Closing force approx	(Nm.)	36
Maximum door width	(MM)	1500
Closing speed variable by valve adjustment		Yes
Maximum door weight	(KG)	250
Hold-open point		90°
Product weight approx.	(KG)	8
Dimensions (MM)	Length	318
	Width	136
	Height	62

\* Subject to terms & conditions