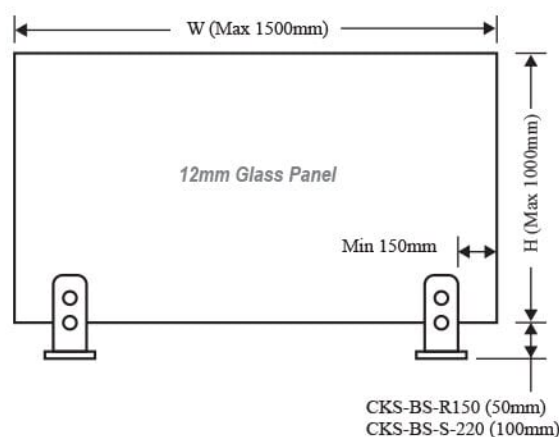
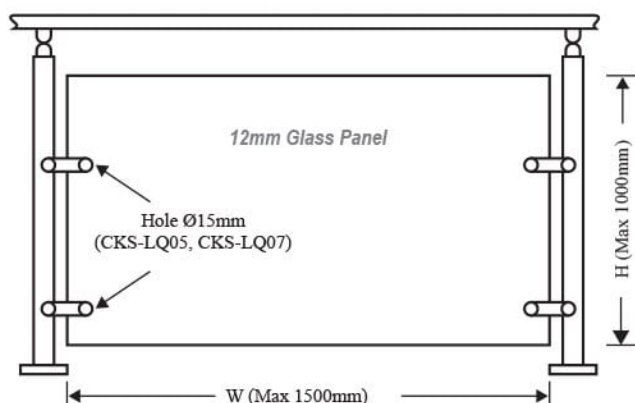
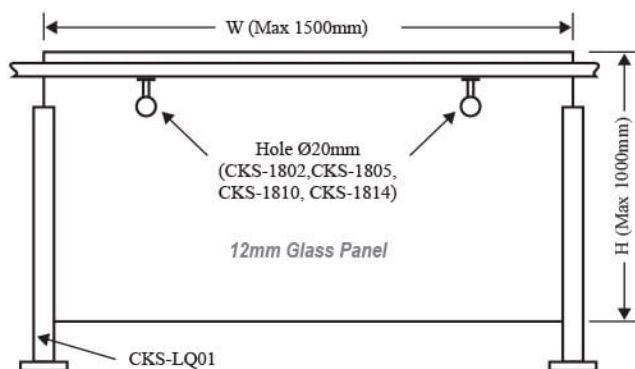


Maximum Frameless Glass Panel Dimension For CKS Handrail (CKS-LQ01, CKS-LQ05 & CKS-LQ07)



Approximate Weight of Architectural Flat Glass

Design professionals, wall system manufacturers, and construction managers often need the weight of materials for engineering and construction site considerations. The table below provides approximate weights of architectural flat glass by thickness.

Glass Thickness (mm)	Weight (kg/m ²)	Weight (kg/ft ²)
3	7.5	0.696
4	10	0.928
5	12.5	1.16
6	15	1.392
8	20	1.856
10	25	2.32
12	30	2.784
15	37.5	3.48
19	47.5	4.408
25	62.5	5.8

Example:

For 12mm glass thickness, width 0.9meter and height 2.1meter.

$$\begin{aligned} \text{Glass weight} &= 0.9 \times 2.1 \times 30 \text{ kg/m}^2 \\ &= 56.7 \text{ kg} \end{aligned}$$

For 12mm glass thickness, width 3ft and height 7ft.

$$\begin{aligned} \text{Glass weight} &= 3 \times 7 \times 2.784 \text{ kg/ft}^2 \\ &= 58.4 \text{ kg} \end{aligned}$$

*Remark:

- 1 m = 3.281 Ft
- 1 Ft = 304.8 mm
- 1 inch = 25.4 mm
- 1/8 inch = 3.175 mm
- 1 m² = 10.764 Ft²

* Approximate weights do not apply to patterned glass or products incorporating multiple lites of glass fabricated into an assembled product.

* Dimensions indicated above are for reference or guide only. Individual project requirement might differ and to check with CKS sales personnel for final glass specification and thickness.