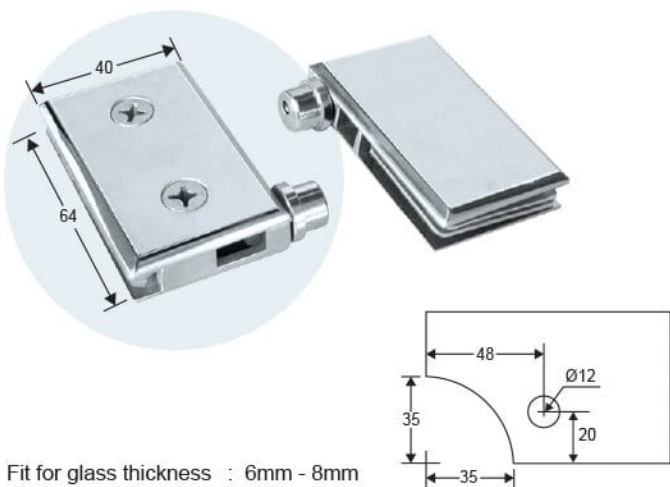


• **B-02**
Glass Patch



Fit for glass thickness : 6mm - 8mm
Material : Zinc Alloy

• **MG-04**
Single Magnet Hinge Set



Material : Stainless Steel
Fit for glass thickness : 5mm - 8mm

• **LG-01**
Single Side Lock

Fit for glass thickness : 5-8mm



• **LG-02**
Double Side Lock

Fit for glass thickness : 5-8mm



CABLE SYSTEM Fit for glass thickness : 5-8mm



• J90-02



• J90-03



• J90-05



• J90-08



• J90-10



• J90-15
Glass Hole Open: $\varnothing 12$ mm



• J90-12



• J90-13



• J90-06



• J90-16



• J90-17



• J90-11
 $\varnothing 2.0$ mm